

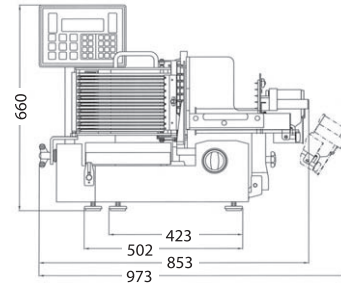
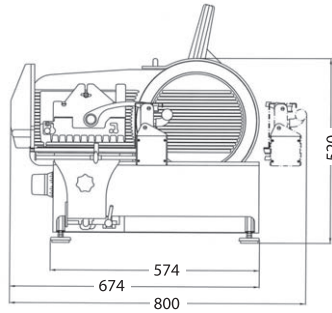
## VA 2000



## Fully-Automatic Food Slicer

- ▷ Ergonomic design in stainless steel for highest demands.
- ▷ Automatic stacking and shingling.  
Simple operation.
- ▷ Variable speed of carriage up to 55 strokes per minute.
- ▷ Quick and easy Cleaning. Manual Operation possible.
- ▷ Maintenance-free gear motor.  
Dimension of the blade 330 mm.

## VA 2000



## Technical Data

<b>Counter Space required</b>	(L x W): 574 x 502 mm
<b>Overall Dimensions</b>	(L x W x H): 674 x 853 x 490 mm
<b>Weight</b>	app. 75 kg
<b>Voltage</b>	3-phase or 1-phase, voltage and cycles as required power consumption 0,6 kW
<b>Power Consumption</b>	0,6 kW
<b>Sound Level</b>	<70 dB (A)
<b>Blade</b>	300 mm, 6, hollow-ground, hard chromed, stay sharp quality
<b>Slice Thickness</b>	0 bis 10 mm (infinitely variable)
<b>Cutting Length</b>	255 mm
<b>Cutting Height</b>	180 mm
<b>Capacity Speed of Carriage</b>	variable, app. 25 - 55 strokes per minute
<b>Precise Slicing</b>	Because of separate gear motor for blade rotation. Therefore 98% power transmission by direct gear drive.

## Stacking



Maximum height of stack 75 mm

## Shingling



1 - 9 layers automatically, shingling distance can be pre-set

## Manual Operation

For special slicing procedures the machine can be manually operated by simply turning a lever at the carriage.

## Security and Hygiene

Model VA 2000 conforms to legal security and hygienic requirements. Sharpening device is removable. Carriage can be tilted aside for cleaning. Chain frame, stacking device and receiving plate are removable. Machine body and all metal parts in contact with food are **made of stainless steel**.

## Special Executions

## Tefloned Execution

Ideal for slicing cheese. Carriage thickness plate, blade guard and blade are tefloned. Easy and precise slicing, no smearing and no sticking. Incrustations will strictly be avoided. Further advantage: quick and easy to Clean with a dry cloth.

All other technical details as VA 2000.

## With table for Slicer, immovable

Made of stainless steel.

## Overall Dimension

(L x W x H): 740 x 650 x 670 mm

## With table for Slicer, movable

Made of stainless steel.

## Overall Dimension

(L x W x H): 740 x 650 x 670 mm